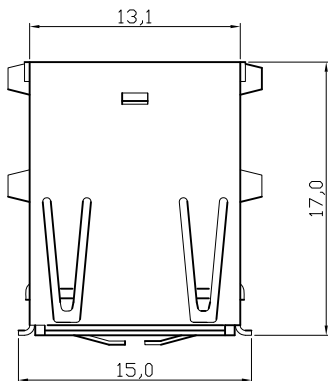
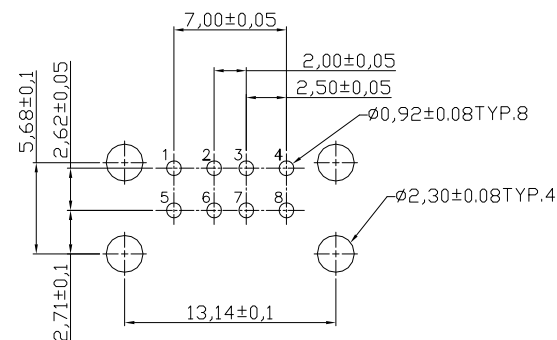
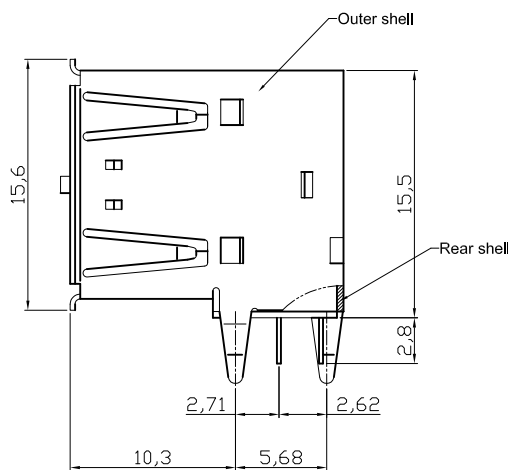
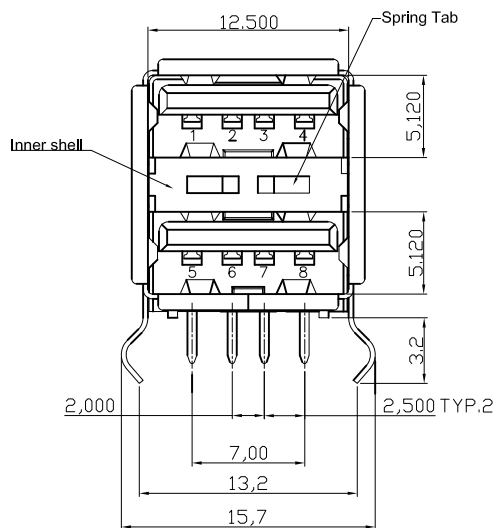


USB 2.0 COMPLIANT



NOTES:

1. Insulation: Glass Filled polyester UL94V-0, Color Black
2. Contact :Phosphor Bronze
3. Outer & Inner shell : Brass
4. Plating : A-USB A-2P-C Selective Gold flash over 50u" Nickel
④ A-USB A-2P-C/30 Selective 30u" Gold over 50u" Nickel
5. Shell Plating: 80u" Nickel over 100u" Cu
6. Rear Shell: Steel with Nickel plated



Recommended PCB Layout

RoHS compliant
Unit: mm

| Scale | Free | | | | Date | Name | Customer-No. | |
|-----------|-------|-----|---------------------------------|------------|---------|------------|--------------|-----|
| TOLERANCE | | | | | Drawn | 30.05.2007 | Hellwig | |
| .X | ±0.30 | | | | | | | |
| .XX | ±0.20 | ④ | Add 30u" gold versioin | 03.07.2014 | Amy | Approved | 03.07.2014 | Amy |
| .XXX | ±0.10 | ③ | Modify Insulator color to Black | 07.07.2009 | Dean | | | |
| DIM | TOL | ② | Re-draw | 06.08.2008 | Hellwig | | | |
| X.° | ±1° | ① | Drawn | 30.05.2007 | Hellwig | | | |
| Angle | TOL | Id. | Modification | Date | Name | | | |



ASSMANN WSW-No. **A-USB A-2P-C**
④ A-USB A-2P-C/30

Drawing-No. **ASS 1360A CO** rev04

Replace SHEET