

1

2

3

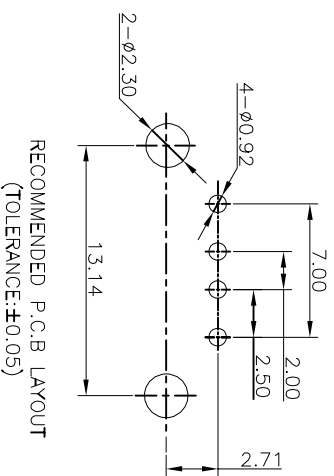
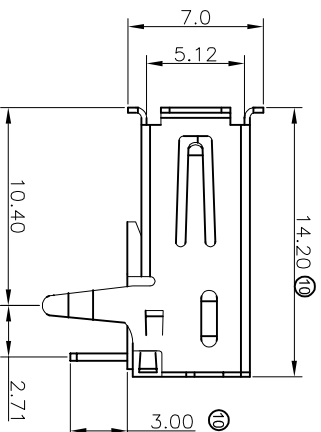
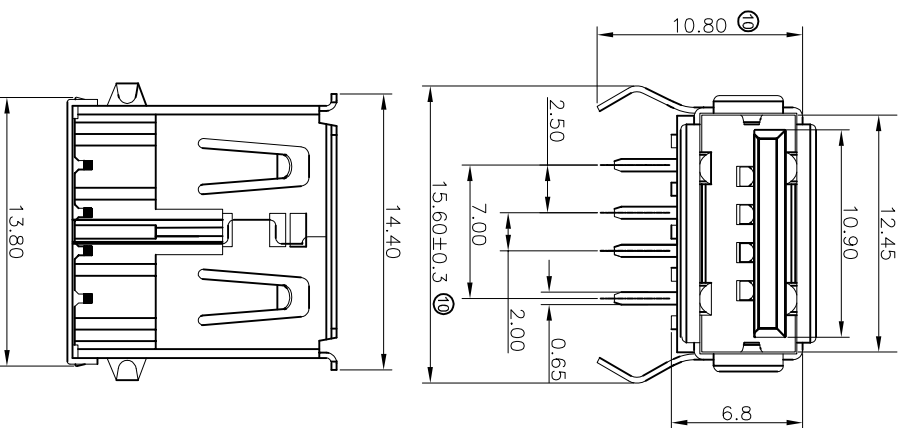
4

5

6

7

⑩ ⑨ USB 2.0 COMPLIANT



NOTES:

1. Material:
 - 1.1 Housing: PBT+30%GF UL94V-0, Color Black
 - 1.2 Shell: Brass
 - 1.3 Contact :Phosphor Bronze
2. FINISH:
 - 2.1 Contact Area: Gold Flash
 - Solder Area: Tin Plated
 - Under: Ni Plated
3. MECHANICAL:
 - 3.1 Mating Force: 3.57kgf Max.
 - 3.2 Unmating Force: 1.02kgf Min
 - 3.3 Durability: 1500 cycles Min
4. ELECTRICAL:
 - 4.1 Current Rating: 1.5A
 - 4.2 Dielectric Strength: 1KV AC FOR 1 MINUTE
 - 4.3 Contact Resistance: 30mΩ Max
 - 4.4 Insulation Resistance: 1000 MΩ Min
 5. Operating temperature: -55°C TO +85°C
 6. PACKING: Tray

RoHS compliant

Unit: mm

Scale	Free	⑫	Update the dielectric Strength	21.01.2016	Winnie		Date	Name	Customer-No.
TOLERANCE		⑬	Update to "USB 2.0 COMPLIANT"	19.08.2013	Amy	Drawn	16.05.2007	Helwig	ASSMANN WSW-No. A-USBSA
X.X	±0.30	⑭	Update	07.06.2013	Winnie	Approved	21.01.2016	Winnie	
X.XX	±0.20	⑮	Add "USB 2.0"	18.02.2013	Amy				Drawing-No. ASS 1122C CO
X.XXX	±0.10	⑯	Plant change and tiny appearance diff.	02.05.2011	Lucas				
ANG.	±1°	⑰	Add the mating drawing	25.06.2011	Rale				
Angle	TOL	⑱	Modification						

ASSMANN
components

1

2

3

4

5

6

7

F

E

D

C

B

A

SV130