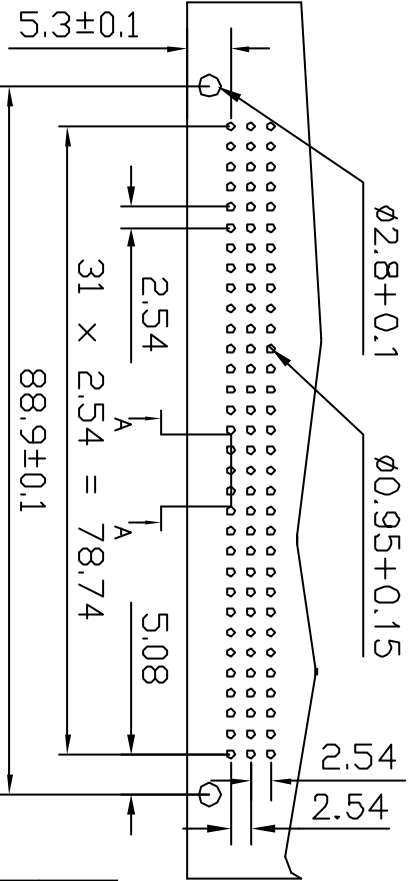
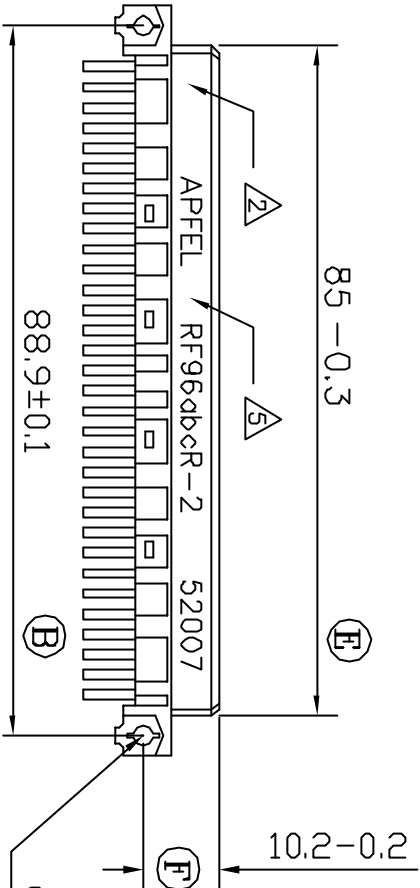
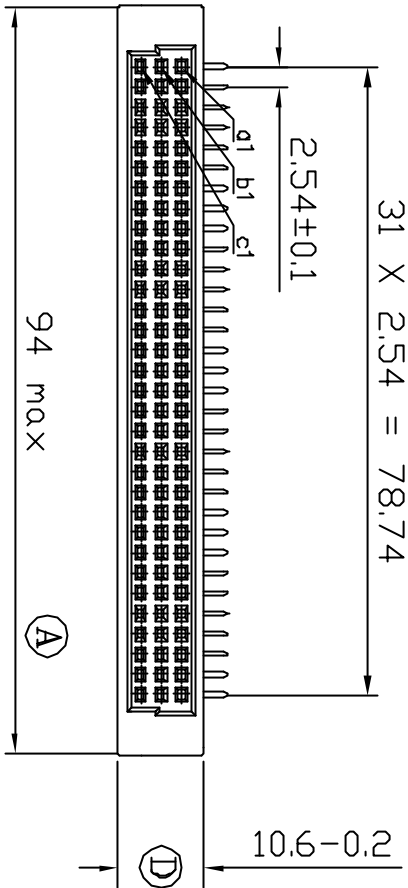
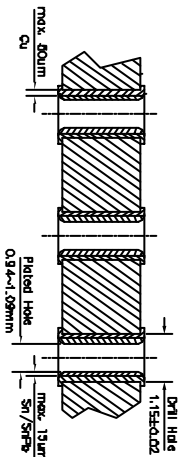
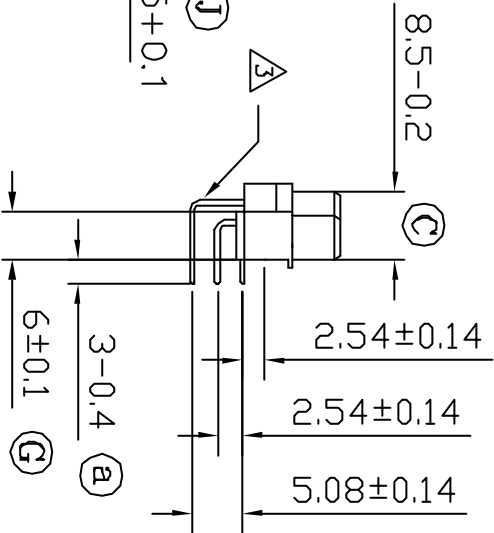


31 X 2.54 = 78.74



NOTES:

- ① CONNECTOR MEETS REQUIREMENT OF DIN 41612
- ② MATERIAL :  
-HOUSING : GLASS-FILLED PBT, COLOR GREY, UL 94V-0  
-CONTACT : PHOSPHOR BRONZE
- ③ CONTACT TAIL DIMENSION  
THICKNESS : 0.35 ±0.02mm  
WIDTH : 0.60 ±0.04mm
- ④ TAIL LENGTH : 3 - 0.4mm  
CONTACT FINISH (OPTION IN PART NUMBER)  
-1: 30u"(0.75um) GOLD PLATING ON MATING AREA, TIN PLATING ON TAIL AREA,  
FLASH GOLD PLATING ON NON-MATING AREA, NICKEL UNDERPLATE ALL OVER  
-2: 15u"(0.38um) GOLD PLATING ON MATING AREA, TIN PLATING ON TAIL AREA,  
FLASH GOLD PLATING ON NON-MATING AREA, NICKEL UNDERPLATE ALL OVER  
BLANK: FLASH GOLD PLATING ON MATING AREA AND NON-MATING AREA.  
TIN PLATING ON TAIL AREA, NICKEL UNDERPLATE ALLOWER
- ⑤ CONNECTOR PRINTED WITH COMPANY NAME, PART NUMBER, AND BATCH NUMBER



RECOMMENDED HOLE SPECIFICATIONS  
SECTION A-A  
SCALE 6 : 1

DESCRIPTION : FEMALE, TYPE R, 96/84 CONTACTS,  
RIGHT ANGLED SOLDER CONNECTOR  
CUSTOMER DRAWING

PART NUMBER

NO.1 RFR96abcR-1	NO.4 RFR84acR-1
NO.2 RFR96abcR-2	NO.6 RFR84acR-2
NO.3 RFR96abcR	NO.8 RFR84acR

**APPFL**

MILLIMETRES  
X XXX ±0.012  
X XX ±0.05  
X X ±0.1  
X ±0.25

DRAWN STP Ling	UNITS MM	ANGLE ±1°	CHECKED H Shen	SCALE 1:1	REV A	DRAWING NO. FD011.DWG
-------------------	-------------	--------------	-------------------	--------------	----------	--------------------------

RECOMMENDED PCB HOLE LAYOUT

COMPONENT SIDE

SCALE 1 : 1

REV	DESCRIPTION OF REVISIONS	DATE	DRAWN	CHECKED
A	FIRST RELEASE	09/26/1997	ST Ling	H Shen