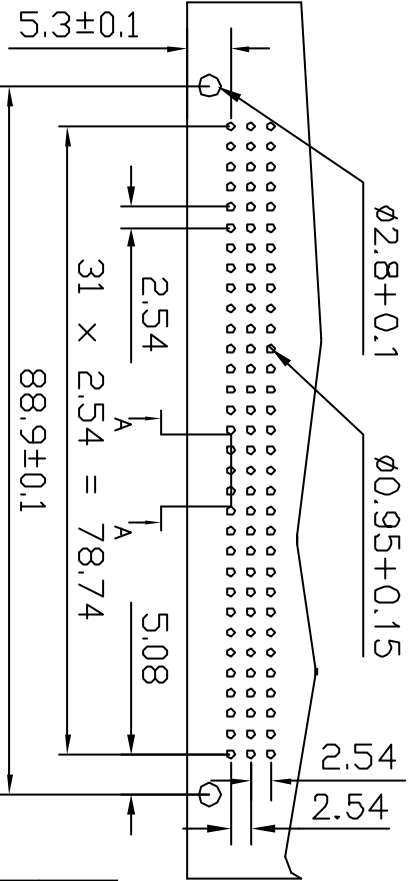
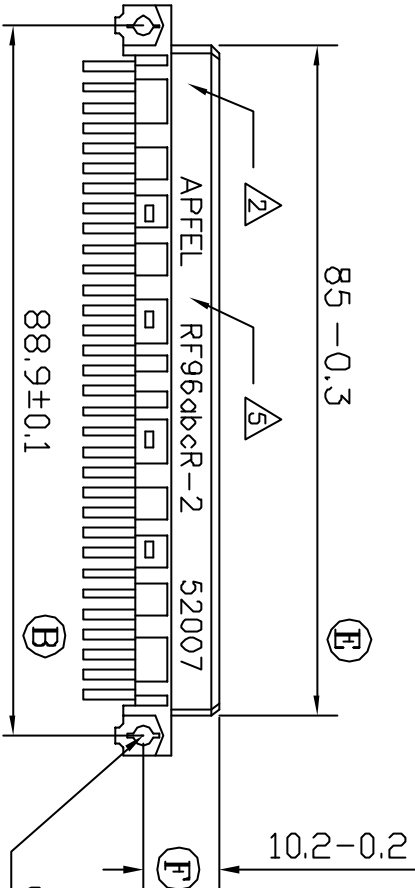
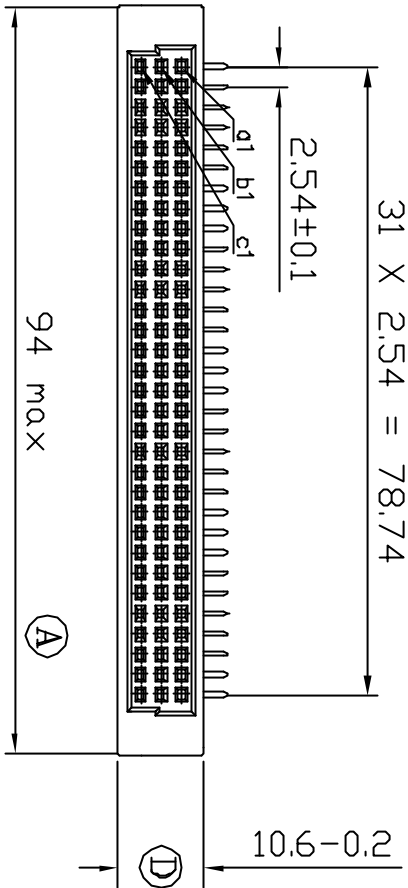
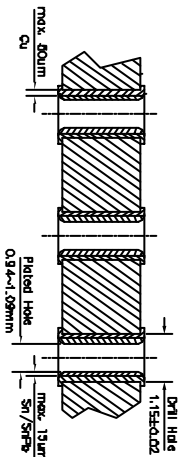
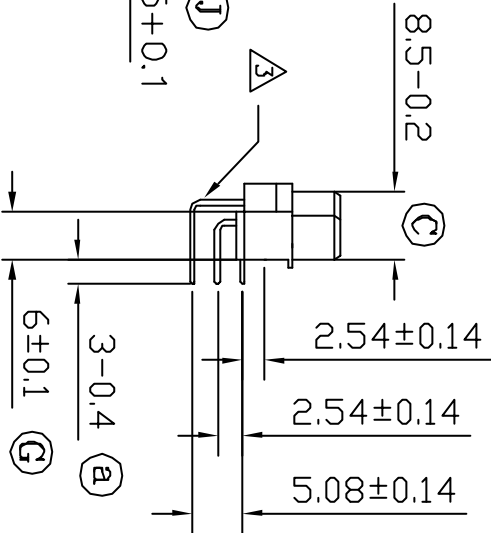


31 X 2.54 = 78.74



NOTES:

- ① CONNECTOR MEETS REQUIREMENT OF DIN 41612
- ② MATERIAL :
-HOUSING : GLASS-FILLED PBT, COLOR GREY, UL 94V-0
-CONTACT : PHOSPHOR BRONZE
- ③ CONTACT TAIL DIMENSION
THICKNESS : 0.35 ±0.02mm
WIDTH : 0.60 ±0.04mm
- ④ TAIL LENGTH : 3 - 0.4mm
CONTACT FINISH (OPTION IN PART NUMBER)
-1: 30u"(0.75um) GOLD PLATING ON MATING AREA, TIN PLATING ON TAIL AREA,
FLASH GOLD PLATING ON NON-MATING AREA, NICKEL UNDERPLATE ALL OVER
-2: 15u"(0.38um) GOLD PLATING ON MATING AREA, TIN PLATING ON TAIL AREA,
FLASH GOLD PLATING ON NON-MATING AREA, NICKEL UNDERPLATE ALL OVER
BLANK: FLASH GOLD PLATING ON MATING AREA AND NON-MATING AREA.
TIN PLATING ON TAIL AREA, NICKEL UNDERPLATE ALLOWER
- ⑤ CONNECTOR PRINTED WITH COMPANY NAME, PART NUMBER, AND BATCH NUMBER



RECOMMENDED HOLE SPECIFICATIONS
SECTION A-A
SCALE 6 : 1

DESCRIPTION : FEMALE, TYPE R, 96/84 CONTACTS,
RIGHT ANGLED SOLDER CONNECTOR
CUSTOMER DRAWING

PART NUMBER

NO.1 RFR96abcR-1	NO.4 RFR84acR-1
NO.2 RFR96abcR-2	NO.6 RFR84acR-2
NO.3 RFR96abcR	NO.8 RFR84acR

APPFL

MILLIMETRES
X XXX ±0.012
X XX ±0.05
X X ±0.1
X ±0.25

DRAWN STP Ling	UNITS MM	ANGLE ±1°	DRAWING NO. FD011.DWG
CHECKED H Shen	SCALE 1:1	REV A	

RECOMMENDED PCB HOLE LAYOUT

COMPONENT SIDE

SCALE 1 : 1

REV	DESCRIPTION OF REVISIONS	DATE	DRAWN	CHECKED
A	FIRST RELEASE	09/26/1997	ST Ling	H Shen