

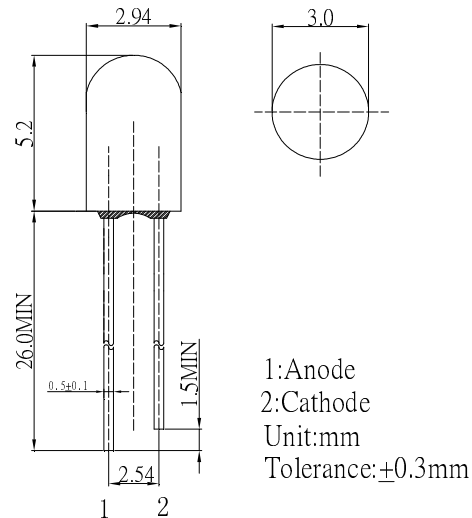
■Features

- Green Diffused Type
- 3mm Standard Directivity
- Superior Weather-resistance
- RoHS compliant

■Applications

- Toys
- Games
- Audio
- Christmas Light

■Outline Dimension



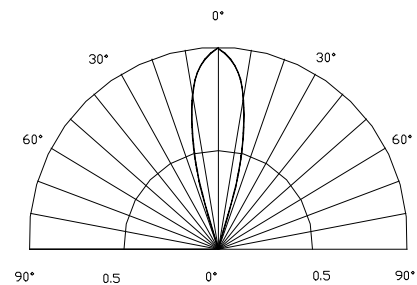
■Absolute Maximum Rating

($T_a=25^{\circ}\text{C}$)

| Item | Symbol | Value | Unit |
|----------------------------|-----------|------------------------------|--------------------|
| DC Forward Current | I_F | 30 | mA |
| Pulse Forward Current* | I_{FP} | 100 | mA |
| Reverse Voltage | V_R | 5 | V |
| Power Dissipation | P_D | 72 | mW |
| Operating Temperature | T_{opr} | -30 ~ +85 | $^{\circ}\text{C}$ |
| Storage Temperature | T_{stg} | -40 ~ +100 | $^{\circ}\text{C}$ |
| Lead Soldering Temperature | T_{sol} | 260 $^{\circ}\text{C}$ /5sec | - |

*Pulse width Max.10ms Duty ratio max 1/10

■Directivity



■Electrical -Optical Characteristics

($T_a=25^{\circ}\text{C}$)

| Item | Symbol | Condition | Min | Typ | Max | Unit |
|--------------------|-----------------|-------------------|-----|-----|-----|---------------|
| DC Forward Voltage | V_F | $I_F=20\text{mA}$ | 1.8 | 2.0 | 2.4 | V |
| DC Reverse Current | I_R | $V_R=5\text{V}$ | - | - | 10 | μA |
| Domi. Wavelength | λ_D | $I_F=20\text{mA}$ | 565 | 570 | 575 | nm |
| Luminous Intensity | I_v | $I_F=20\text{mA}$ | 10 | 15 | - | mcd |
| 50% Power Angle | $2\theta_{1/2}$ | $I_F=20\text{mA}$ | - | 30 | - | deg |