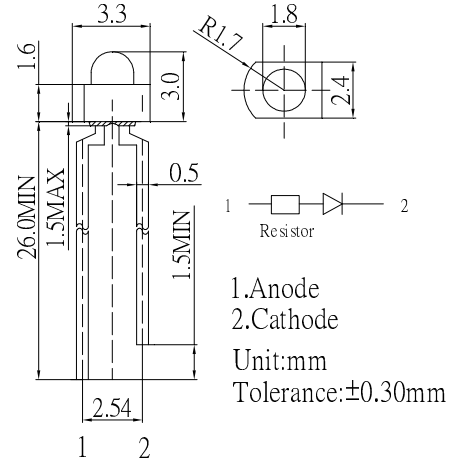


■ Features

- High Luminous LEDs
 - 1.8mm Round Standard Directivity
 - Superior Weather-resistance
 - UV Resistant Epoxy
 - Integral Current Limiting Resistor
 - TTL Compatible (Requires No External Current Limiter With 12 Volt Supply)
 - Cost Effective (Saves Space and Resistor Cost)
 - Water clear Type
- ### ■ Applications
- Status Indicators
 - Other Lighting

■ Outline Dimension

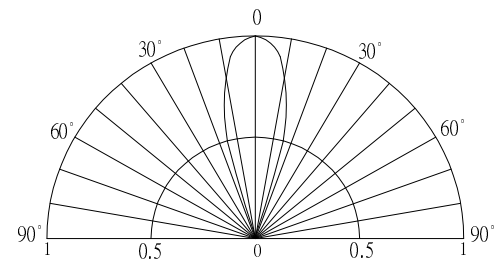


■ Absolute Maximum Rating (Ta=25°C)

(Ta=25°C)

Item	Symbol	Value	Unit
DC Forward Voltage	V _F	15	V
Reverse Voltage	V _R	12	V
Power Dissipation	P _D	225	mW
Operating Temperature	Topr	-30 ~ +85	°C
Storage Temperature	Tstg	-30~ +85	°C
Lead Soldering Temperature	Tsol	260°C/5sec	-

■ Directivity



■ Electrical -Optical Characteristics (Ta=25°C)

(Ta=25°C)

Part Number	Color			I _F (mA)			I _v (mcd)*			λD(nm)*			2θ1/2(deg)
				Min	Typ.	Max.	Min.	Typ.	Max.	Min.	Typ.	Max.	Typ.
				V _F =12V			V _F =12V						
OSW5DK7331A-12V	White	W		-	10	15	2180	3000	-	X=0.27, Y=0.28		30	
OSM5DK7331A-12V	Warm White	M		-	10	15	1560	2180	-	X=0.45, Y=0.41		30	
OSK5DK7331A-12V	Pink	K		-	10	15	750	1120	-	X=0.45, Y=0.17		30	
OSB5SA7331A-12V	Blue	B		-	10	15	1120	1560	-	465	470	475	30
OSG5DA7331A-12V	Pure Green	TG		-	10	15	3000	4200	-	520	525	530	30
OSG8HA7331A-12V	Yellow Green	G		-	10	15	300	500	-	565	570	575	30
OSY5RU7331A-12V	Yellow	Y		-	10	15	750	1120	-	585	590	595	30
OSO5JA5A31A-12V	Orange	O		-	10	15	750	1120	-	600	605	610	30
OSR5RU7331A-12V	Red	R		-	10	15	750	1120	-	620	625	630	30

*1 Tolerance of chromaticity coordinates is ±10%

*2 Tolerance of luminous intensity is ±15%