

02 0250

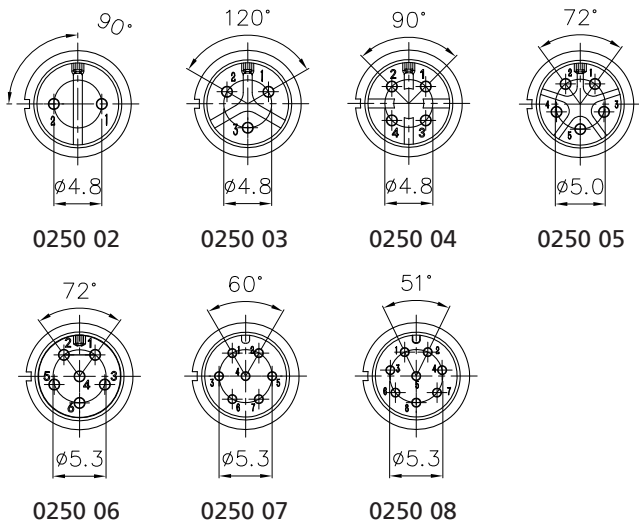
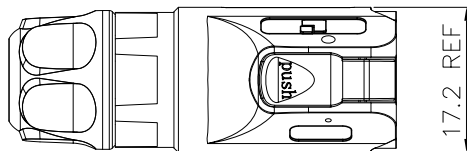
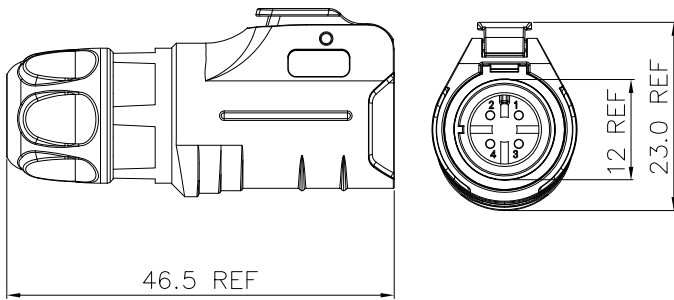
Quicklock circular connectors, IP67



Quicklock plug, IP67, size 12, straight version, with plastic housing and solder terminals

Approvals:  pending 

02 0250



Environmental conditions

Temperature range -40 °C/+80 °C

Materials

Insulating body/handle PBT, V-0 according to UL94
 Contact pin CuZn, gold-plated
 Locking Zn-alloy, chrome-plated
 Cap nut PBT, V-0 according to UL94

Mechanical data

Protection class IP67

Connectable conductors for solder area

Section $\leq 1.5 \text{ mm}^2$ (2 poles)
 $\leq 1.0 \text{ mm}^2$ (3-5 poles)
 $\leq 0.75 \text{ mm}^2$ (6-8 poles)
 Cable diameter 3.0–6.0 mm

Electrical data (at $T_{\text{amb}} 20 \text{ °C}$)

Contact resistance $\leq 10 \text{ m}\Omega$
 Rated current 5 A (2–6 poles)
 3 A (7–8 poles)
 Rated voltage 125 V
 Rated impulse voltage 1500 V AC
 Creepage distance $\geq 1,5 \text{ mm}$
 Clearance $\geq 0,5 \text{ mm}$
 Insulation resistance $> 500 \text{ M}\Omega$

Associated products

Counterparts
 ↗ 0260 ↗ 0270

02 0250

Designation	Pole Number	PU (Pieces)	MDQ (Pieces)
0250 02	2	15	60
0250 03	3	15	60
0250 04	4	15	60
0250 05	5	15	60
0250 06	6	15	60
0250 07	7	15	60
0250 08	8	15	60

Packaging:

in individual plastic bags, in a cardboard box