

Split ferrite

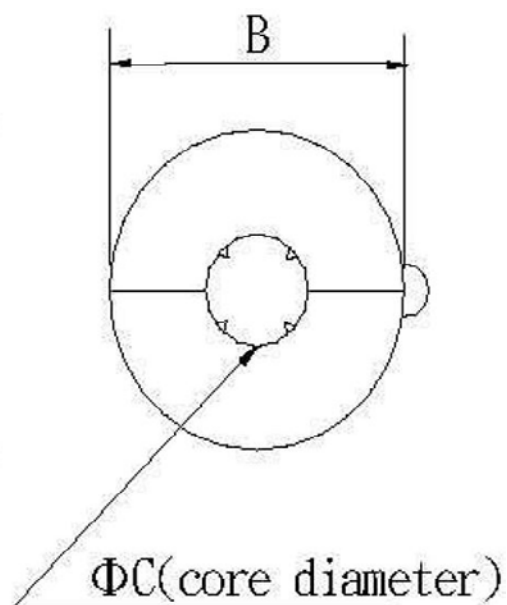
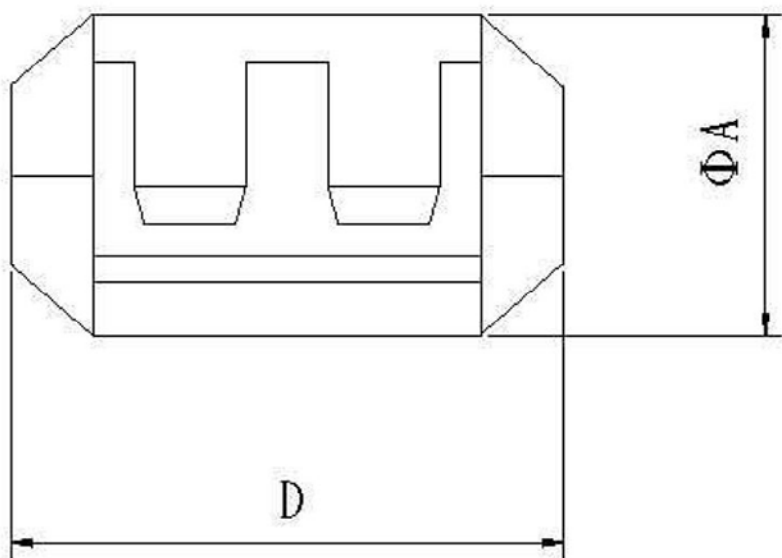
$\varnothing \leq 7.5 \text{ mm}$

FEATURES:

Round Shape

SPECIFICATION:

For cable size	$\varnothing \leq 7.5 \text{ mm}$
Colour	black
A	21 mm
B	21 mm
C	7.5 mm
D	39 mm
Impedance @ 25 MHz	145 Ω
Impedance @ 100 MHz	245 Ω

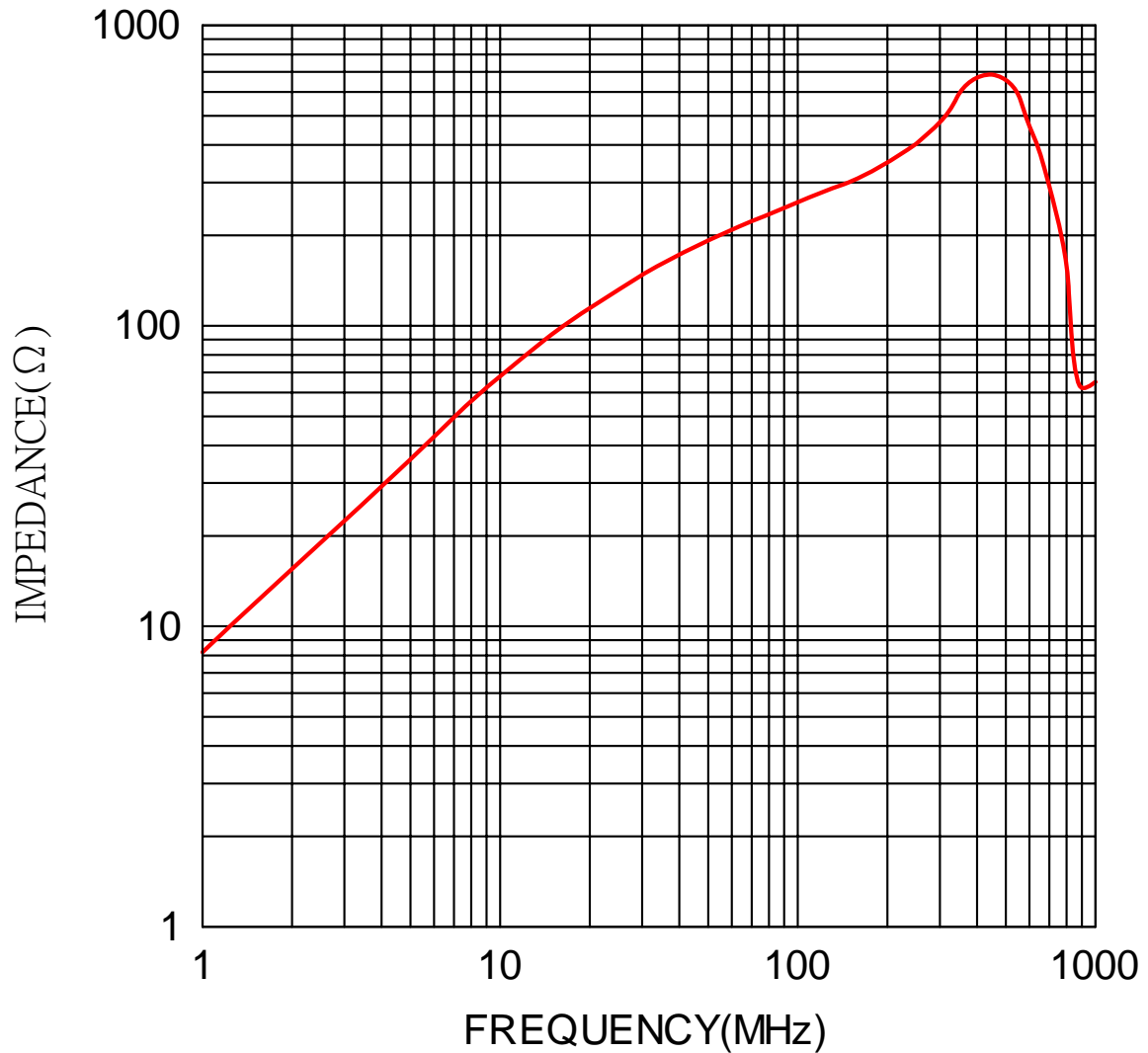


Split ferrite

$\varnothing \leq 7.5 \text{ mm}$

Frequency Graph

1. TEST INSTRUMENT: HP4286A
2. WINDING: 0.4 Φ X165 mm 2 U. E. W 1 TS



	1	5	10	25	50	100	200	300	400	500	600	700	800	900	1000
Z —	8.2	36	68	132	192	258	350	476	669	657	462	291	159	62	65

(DATA BETWEEN 500MHz AND 1000MHz ARE FOR REFERENCE ONLY)

Art. Nr.
RND 165-00015