



# Printed-Circuit-Board transformers

Output Power: 4.5 VA

# EI 38

	<b>DIN EN 61558-2-6</b>	119359
Report of passed Glow-Wire-Test	<b>DIN EN 60335-1, clause 30.2.3.1 and 30.2.3.2</b>	102961/84814
	<b>UL 5085-1</b>	E98173
	<b>UL 5085-3</b>	E98173
	<b>CSA C22.2-66.1-06</b>	E98173
	<b>CSA C22.2-66.3-06</b>	E98173

- according to REACH regulation
- according to RoHS regulation

**Further certifications / approvals on request!**

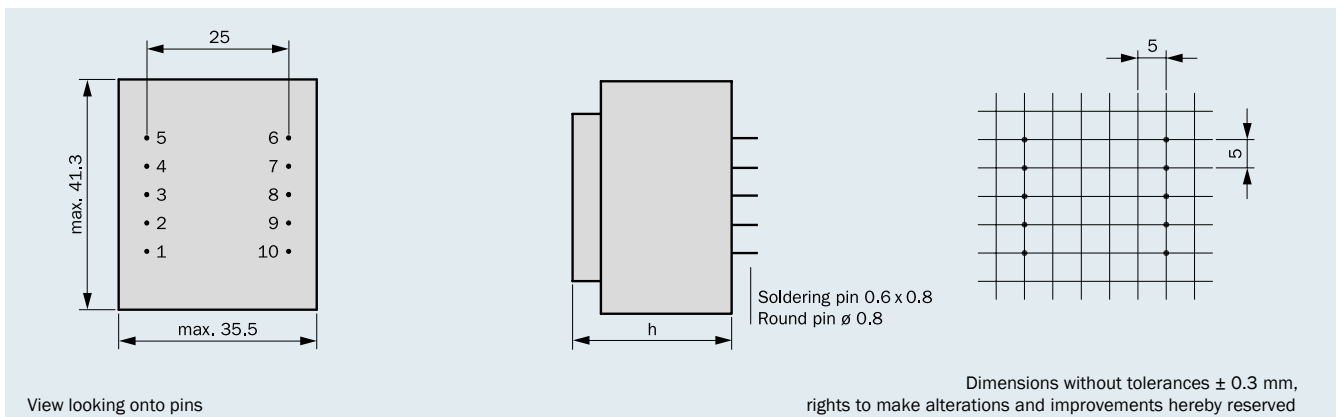


- Output Power up to 4.5 VA
- Non short-circuit-proof at temperature class ta 70 °C/B
- Standard type cast housing "0"
- Excellent temperature fluctuation resistance properties
- High electrical safety and long service-life features
- High voltage resistance
- Self-extinguishing cast housing and sealing material
- 100 % piece inspection

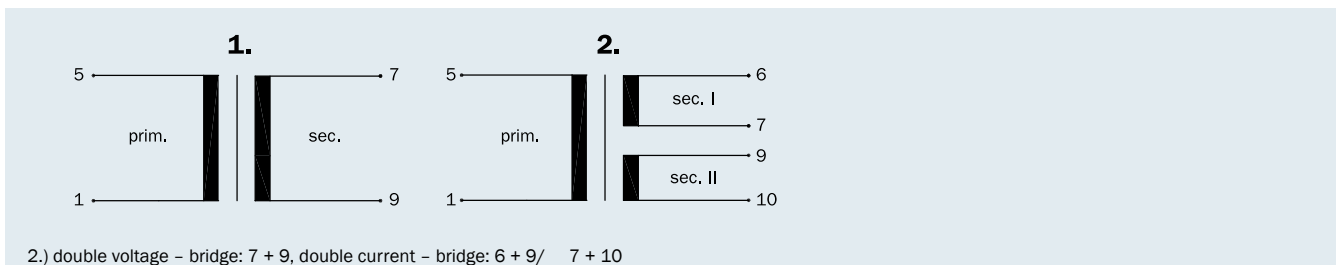
Protection extern secondary by:

- Micro fuse according to IEC 127

## Connecting pins



## Connection scheme (only connected pins are present)



Frame size/Core height	Output Power ta 70 °C/B	Height (h)	Weight	Packaging unit
BV EI 382 .... /13.6 mm	4.5 VA	max. 28.6 mm	0.150 kg	30 pieces



# Printed-Circuit-Board transformers

Output Power: 4.5 VA

# EI 38

**4.5 VA**  
**ta 70 °C/B**

Frame size/Core height  
**BV EI 382.... /**  
**13.6 mm**

non short-circuit-proof



no load power loss  
**type. 1.5 W**

Order No.	Primary voltage V	Connecting pins prim.	Secondary voltage V	Current sec. mA	Connecting pins sec.	No-load voltage V	Connection scheme
BV EI 382 1185	230	1-5	1 x 6	750	7-9	1 x 9.7	1
BV EI 382 1186	230	1-5	2 x 6	375	6-7/9-10	2 x 9.2	2
BV EI 382 1187	230	1-5	1 x 7.5	600	7-9	1 x 10.6	1
BV EI 382 1188	230	1-5	2 x 7.5	300	6-7/9-10	2 x 11.0	2
BV EI 382 1189	230	1-5	1 x 9	500	7-9	1 x 13.0	1
BV EI 382 1190	230	1-5	2 x 9	250	6-7/9-10	2 x 13.0	2
BV EI 382 1191	230	1-5	1 x 12	375	7-9	1 x 17.0	1
BV EI 382 1192	230	1-5	2 x 12	187	6-7/9-10	2 x 18.4	2
BV EI 382 1193	230	1-5	1 x 15	300	7-9	1 x 20.8	1
BV EI 382 1194	230	1-5	2 x 15	150	6-7/9-10	2 x 21.2	2
BV EI 382 1195	230	1-5	1 x 18	250	7-9	1 x 24.4	1
BV EI 382 1196	230	1-5	2 x 18	125	6-7/9-10	2 x 24.9	2
BV EI 382 1267	230	1-5	1 x 21	215	7-9	1 x 29.0	1
BV EI 382 1197	230	1-5	1 x 24	187	7-9	1 x 33.5	1



# Printed-Circuit-Board transformers

Output Power: 2.5 VA – 9.0 VA

# EI 38

## Individual version!

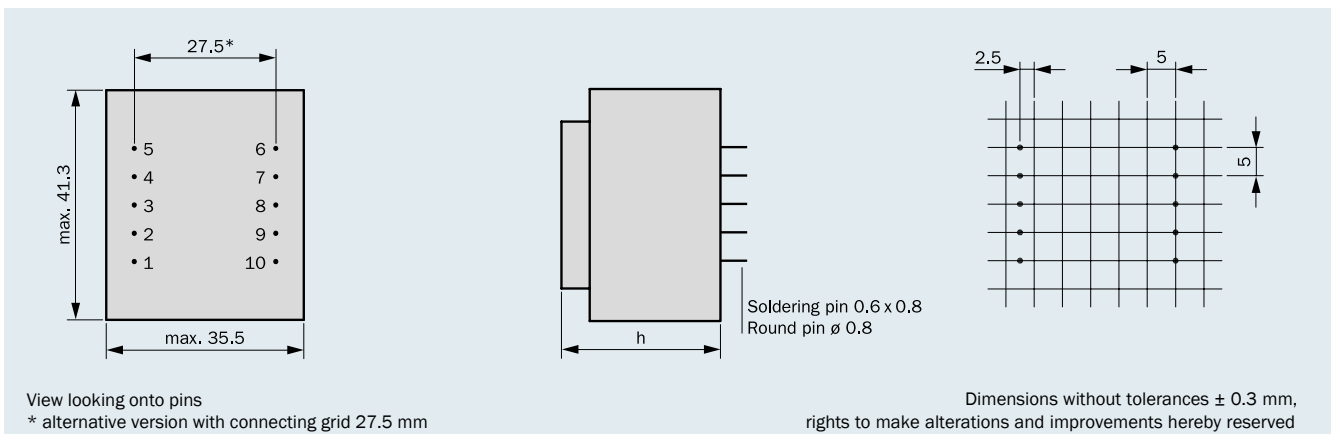
Parallel to the cataloged EI 38 series transformers. HAHN also produces other variants. e.g. with integrated thermo fuse or thermo switch. other housing-. fixing- and connective options as well as non-encapsulated transformers.

- according to REACH regulation
- according to RoHS regulation

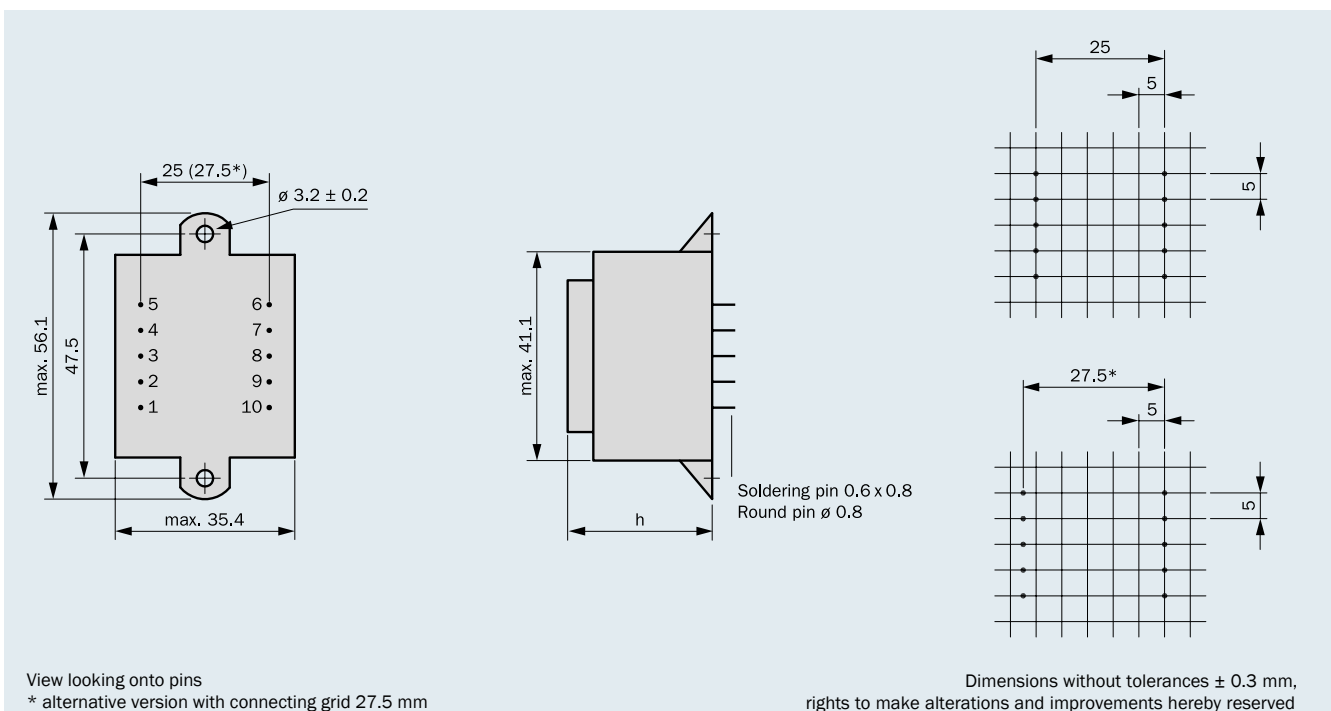
**Further certifications / approvals on request!**

Frame size/Core height	Output Power ta 70 °C/B	Height (h)	Weight
BV EI 381 .... / 7.5 mm	2.5 VA	max. 22.5 mm	0.100 kg
BV EI 382 .... /13.6 mm	4.5 VA	max. 28.6 mm	0.150 kg
BV EI 383 .... /16.5 mm	6.0 VA	max. 31.3 mm	0.190 kg
BV EI 384 .... /28.0 mm	9.0 VA	max. 43.1 mm	0.280 kg

### Type cast housing “0”



### Type cast housing “K” with 2 fixing straps





# Printed-Circuit-Board transformers

Output Power: 2.5 VA – 9.0 VA

# EI 38

## Type cast housing "SV" for upright mounting

